

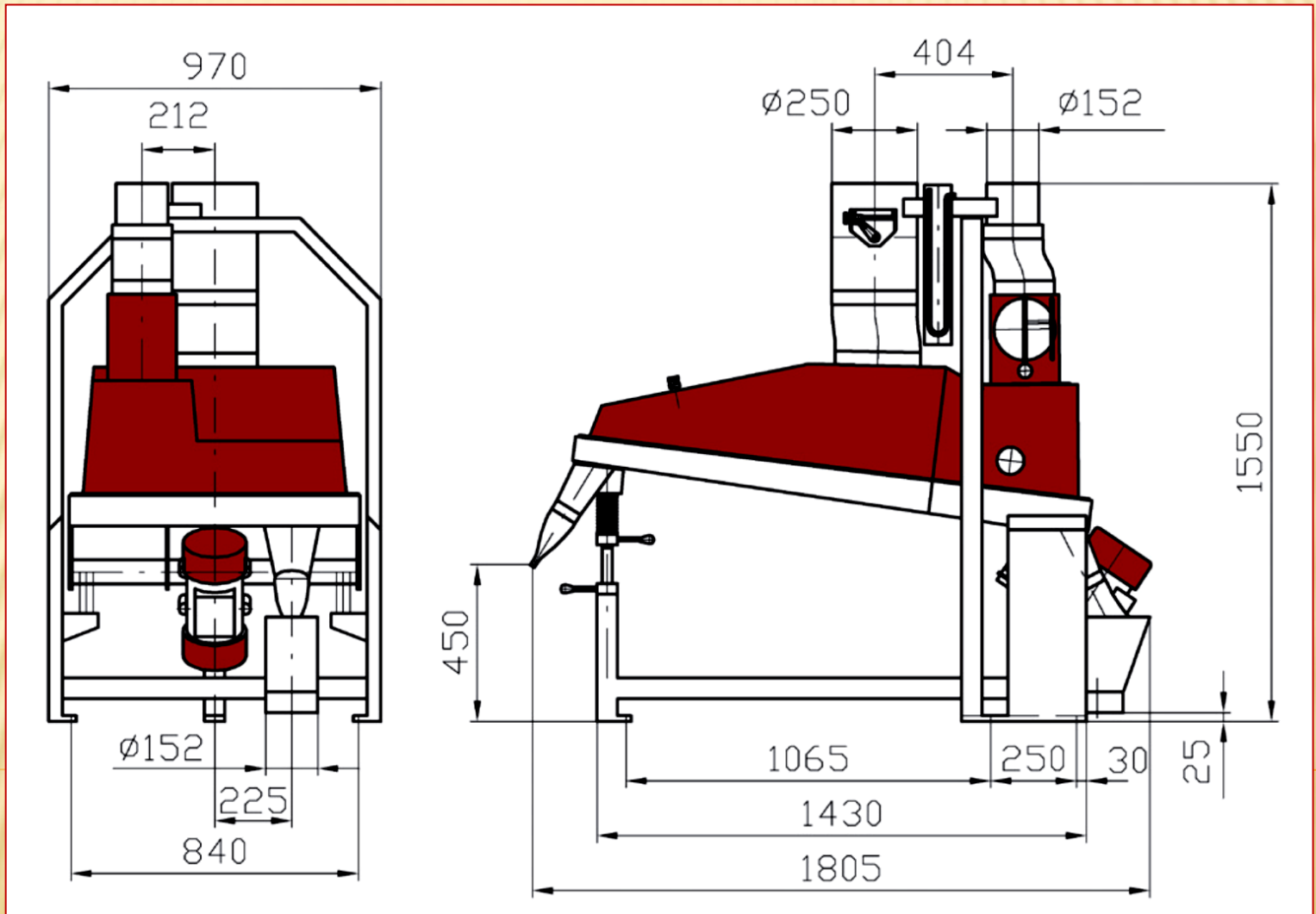
DESTONER _ONE SIEVE **PVS 3 / PVS 7**

Machine type		PVS 3	PVS 7
Weight	kg	190	230
Power consumption	kW	0,25	
Output	t.h ⁻¹	3	7
Rated current	A	0,78	
Motor protection	IP	54	
Moisture braun	%	13 - 15	
Efectiveness	%	90	
Vibratory - adjustable		from 30° to 70°	
Slant sieve - adjustable		4 - 9°	
Speed flap of air regulativ - adjustable		from 3 to 20 mm	---
Concentration of solid dust harmful substance	g.m ⁻³	1 - 2	
Frequency	1.s ⁻¹	15,7	
Pressure loss	Pa	1200	1200
Aspiration air amount	m ³ .min ⁻¹	45	80

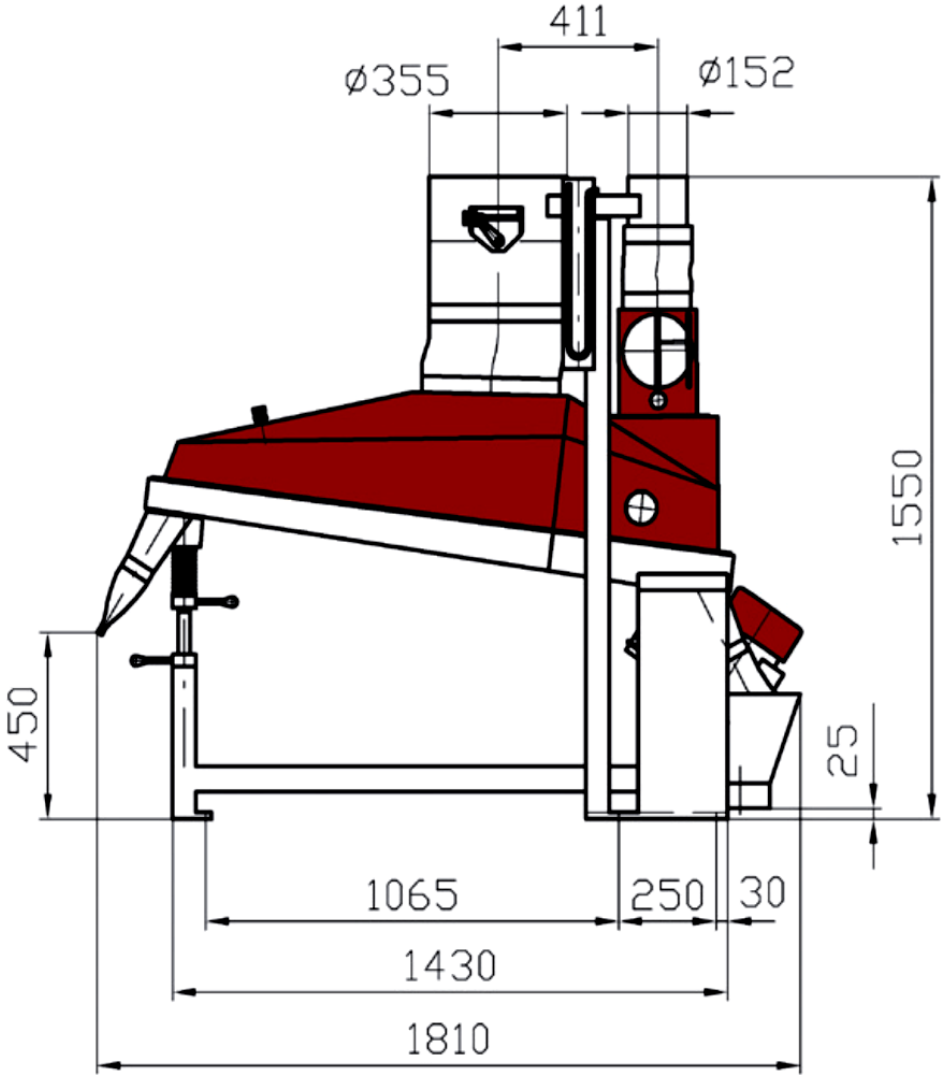
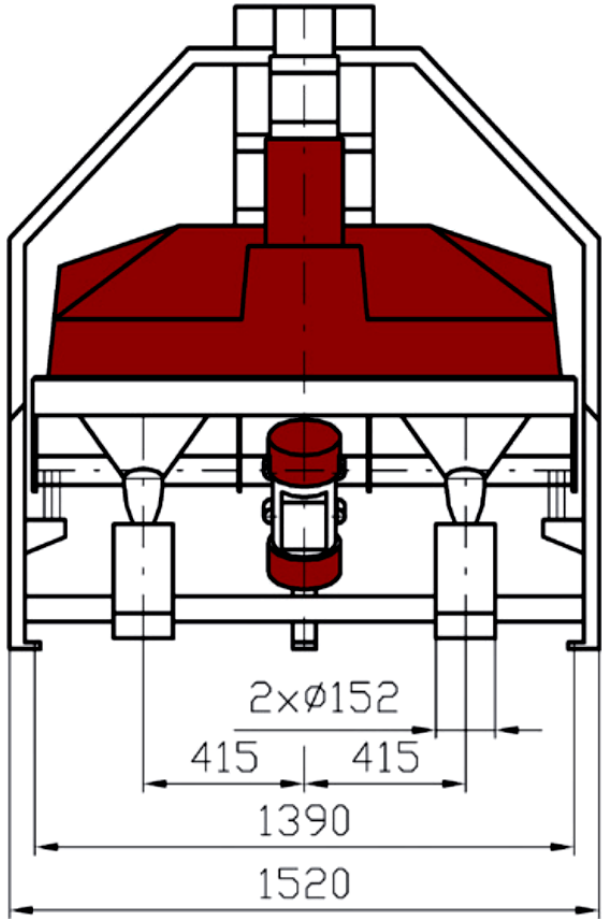
DSEPARATION OF SMALL STONES, GLASS AND METAL PARTICLES

Destoners PVS are used for separation of small stones, glass and metal particles from grain in dry method based on different specific weight of material. They are applied in cleaning sections of flour mills. However, they can also be used for cleaning of other dry, loose and grainy materials.

DESTONER _ONE SIEVE PVS 3



DESTONER _ONE SIEVE PVS 7

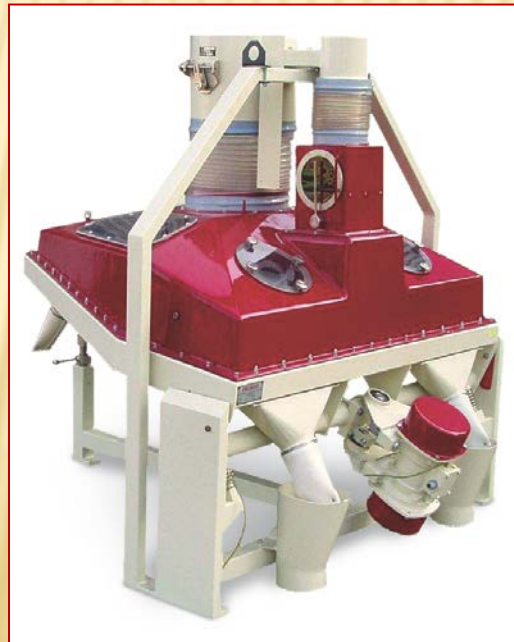


TOROF
FA

TOROF
FA



**DESTONER
PVS 3**



**DESTONER
PVS 7**



Dělnická 384
530 00 Pardubice
CZECH REPUBLIC

Táňa Mičková

tel.: + 420 775 200 898

Roman Janovský

tel.: + 420 728 332 250

e-mail: torofa@email.cz

web: www.torofa.cz